
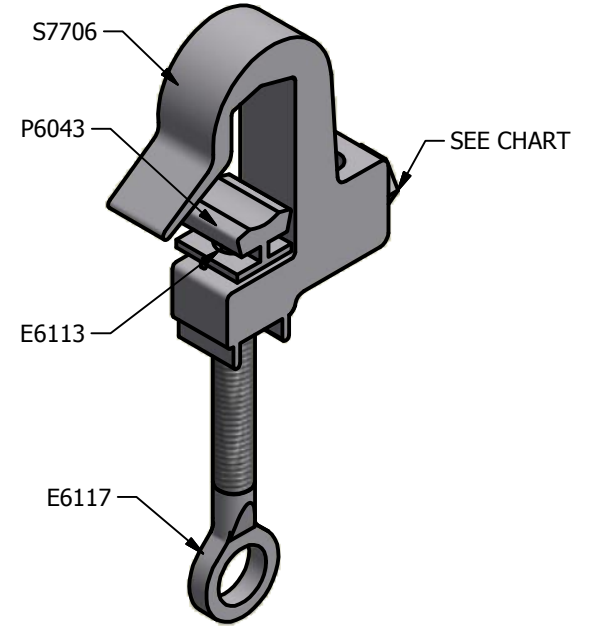
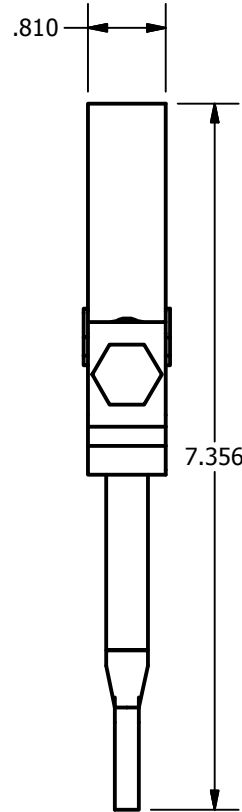
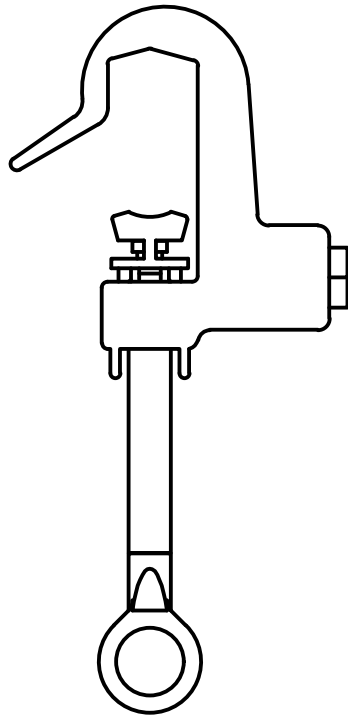
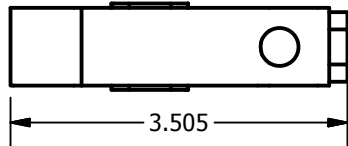


SCREW: SEE CHART	MATERIAL: NONE	REV: F		
CAT. NO.: OTC-556	PLATING: NONE	DRAWN BY: CLH	SCALE: 1:1	800-776-9775 www.ilsco.com
INFORMATION SHEET: FORM 18	MARKING: NONE	DATE: 10/3/2008	SIZE: A	DWG. NO. M7430
				SHEET: 1 OF 1



DEV	SCREW
M7430A00W	E0459
M7430A10W	E1196
M7430A20W	E0459